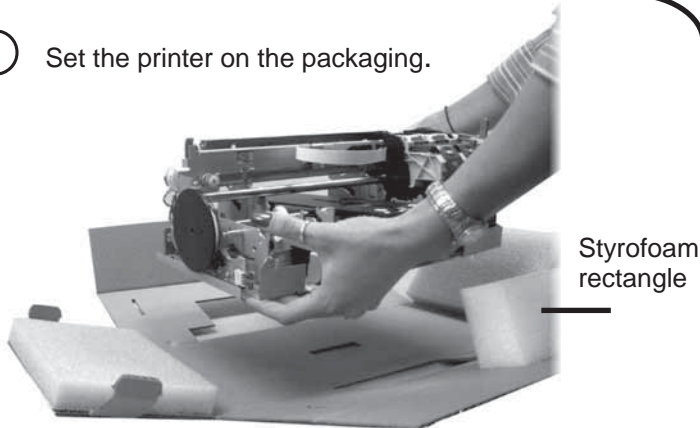



Pack the Rimage 480i™ Printer

- ⓘ Important! Before packing the Rimage 480i, remove the ink cartridges. The cartridges may empty their contents in transit, damaging the system beyond repair. Failure to remove the cartridges will void any warranty or maintenance contract work. If the cartridges are not removed and the ink leaks, the unrepaired system will be returned to you immediately.

- ① Set the printer on the packaging.




-  **Note:** The front of the printer must face the white Styrofoam rectangle on the inside of the packaging.

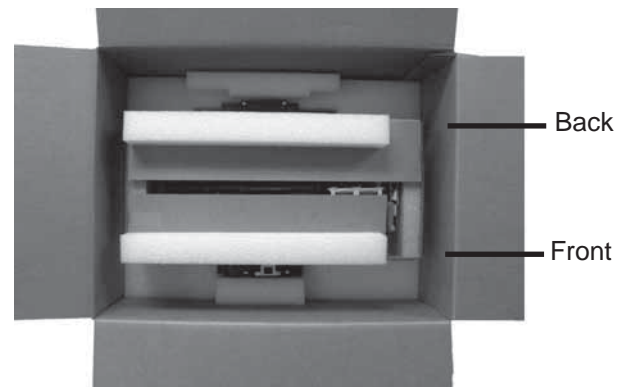
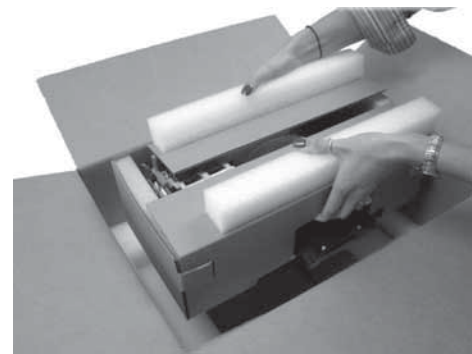
- ② Fold up the four sides of the packaging.

- ③ Insert the cardboard tabs (Qty. 4) (two on each side of the packaging.)



- ④ Lower the packaged printer into the box.

-  **Note:** There is a foam form in the bottom of the box. The packaged printer will only fit in the form if it is correctly positioned. Adjust the position of the printer tray until the printer fits in the form.



- ⑤ When the printer is correctly positioned in the box, close the box flaps.

- ⑥ Use packing tape to close the box.

